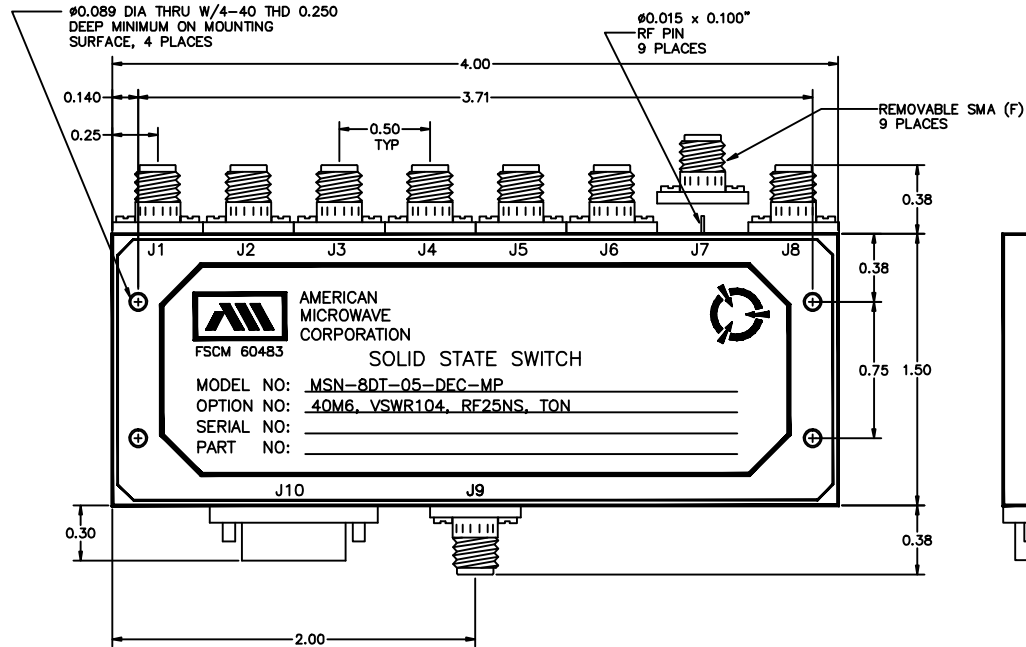


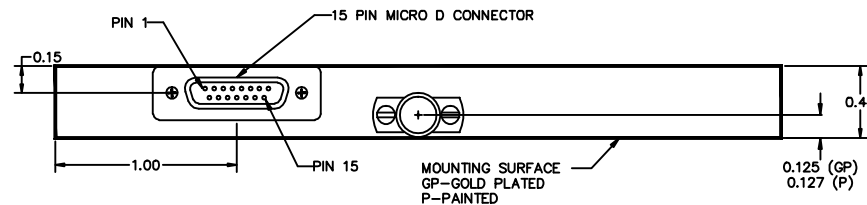
DESCRIPTION

THE AMC MODEL NUMBER MSN-8DT-05-DEC-MP OPTIONS: 40M6, VSWR104, RF25NS, TON, IS A TERMINATED SP8T SWITCH WITH A FREQUENCY RANGE OF 40 MHz TO 6 GHz. THIS MODEL IS ALSO EQUIPED WITH A DECODER AND MULTIPIN CONNECTOR.

| REVISIONS | | | | |
|-----------|------|------------------------------|----------|----------|
| ZONE | REV. | DESCRIPTION | DATE | APPROVED |
| | - | ORIGINAL RELEASE JOB# 611211 | 12/04/06 | |



MECHANICAL OUTLINE



ALL DIMENSIONS ARE IN INCHES
 TOLERANCES:
 X.XX ±0.020
 X.XXX ±0.010

AMERICAN MICROWAVE CORPORATION

7311-G GROVE ROAD
 FREDERICK, MARYLAND 21704 USA
 TEL: 301-662-4700 FAX: 301-662-4938
 WEBSITE: www.americanmicrowavecorp.com
 E-MAIL: sales@americanmicrowavecorp.com
 ISO 9001:2000 CERTIFIED



| APPROVALS | | DATE | TITLE | | |
|------------------|--|----------|---|----------|--------------|
| DRAWN <i>PRB</i> | | 12/04/06 | MECHANICAL OUTLINE MSN-8DT-05-DEC-MP OPTION: 40M6, VSWR104, RF25NS, TON 40MHz - 6 GHz TERMINATED SP8T SWITCH | | |
| CHECKED | | | SIZE | FSCM NO. | DWG NO. |
| ISSUED | | | A | 60483 | 100-7213-001 |
| | | | SCALE | N:S | SHEET 2 OF 4 |

DESCRIPTION

THE AMC MODEL NUMBER MSN-8DT-05-DEC-MP OPTIONS: 40M6, VSWR104, RF25NS, TON, IS A TERMINATED SP8T SWITCH WITH A FREQUENCY RANGE OF 40 MHz TO 6 GHz. THIS MODEL IS ALSO EQUIPPED WITH A DECODER AND MULTIPIN CONNECTOR.

| REVISIONS | | | | |
|-----------|------|------------------------------|----------|----------|
| ZONE | REV. | DESCRIPTION | DATE | APPROVED |
| | - | ORIGINAL RELEASE JOB# 611211 | 12/04/06 | |

SPECIFICATIONS:

- FREQUENCY: 40 MHz TO 6 GHz
- INSERTION LOSS: 4.5 dB MAXIMUM
- ISOLATION: 60 dB MINIMUM
- VSWR: 1.4:1
- SPEED: RISE: 25ns MAX.
FALL: 25ns MAX.
DELAY ON: 120ns MAX.
DELAY OFF: 120ns MAX.
- POWER INPUT: (CW)+20dBm (STANDARD), +10 dBm (HIGH SPEED)
- SURVIVAL POWER: 1 WATT CW, 10 WATTS PEAK 1 usec
- CONTROL: 3 BIT DECODER WITH MULTIPIN
- POWER SUPPLY: +5V @ 400 mA MAX.
-5V @ 100mA MAX.(ABSORPTIVE/NON-REFLECTIVE)

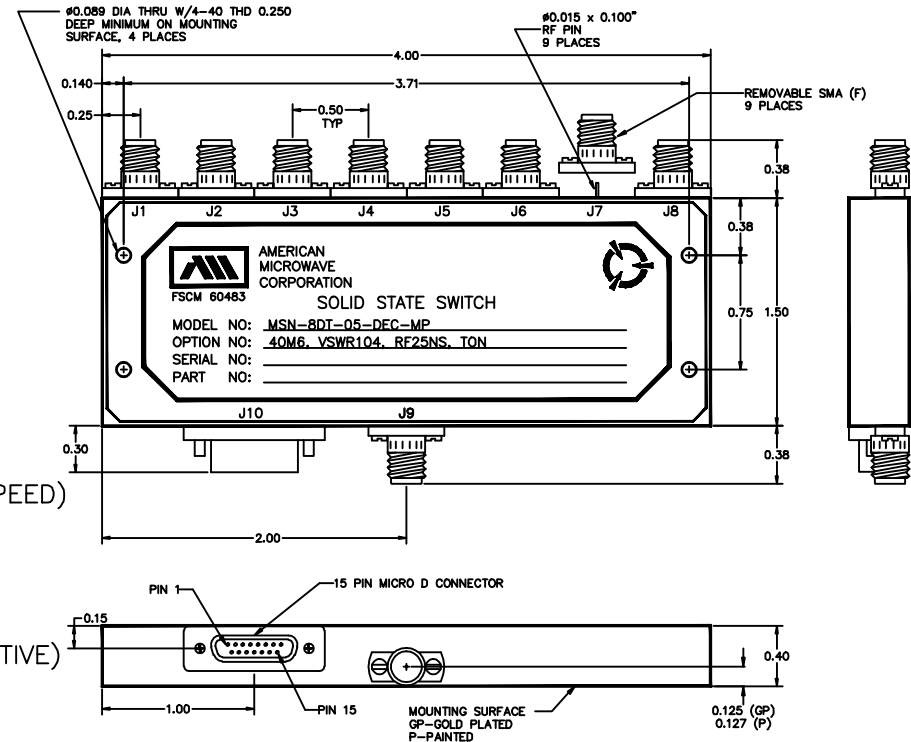
OPTIONS:

- 40M6 40 MHz TO 6 GHz
- VSWR104 VSWR 1.4:1
- RF25NS RISE/FALL TIME 25NS
- TON TURN ON/OFF 120NS

ENVIRONMENTAL RATINGS:

- TEMPERATURE: -55°C TO +85°C (OPERATING)
-65°C TO +125°C (STORAGE)
- HUMIDITY: MIL-STD-202F, METHOD 103B COND. B
- SHOCK: MIL-STD-202F, METHOD 213B COND. B
- VIBRATION: MIL-STD-202F, METHOD 204D COND. B
- ALTITUDE: MIL-STD-202F, METHOD 105C COND. B
- TEMPERATURE CYCLE: MIL-STD-202F, METHOD 107D COND. A

NOTE: SPECIFICATIONS WILL VARY OVER OPERATING TEMPERATURE
NOTE: THE ABOVE SPECIFICATIONS ARE SUBJECT TO CHANGE OR REVISION



ALL DIMENSIONS ARE IN INCHES
TOLERANCES:
X.XX ±0.020
X.XXX ±0.010

AMERICAN MICROWAVE CORPORATION

7311-G GROVE ROAD
FREDERICK, MARYLAND 21704 USA
TEL: 301-662-4700 FAX: 301-662-4938
WEBSITE: www.americamicrowavecorp.com
E-MAIL: sales@americamicrowavecorp.com
ISO 9001:2000 CERTIFIED



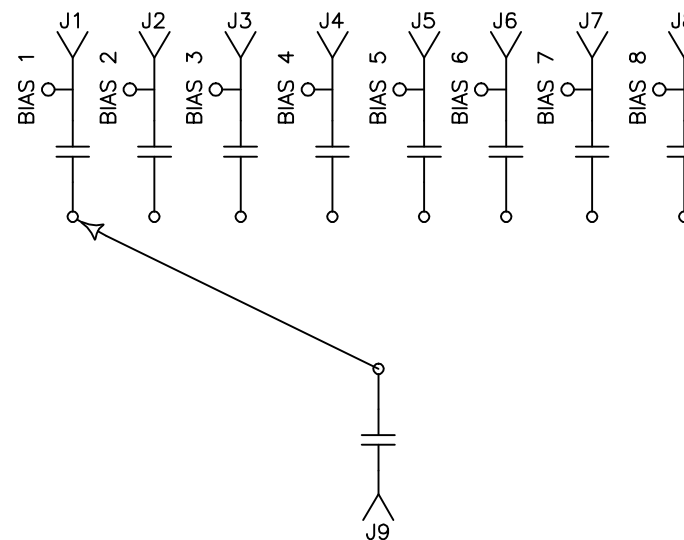
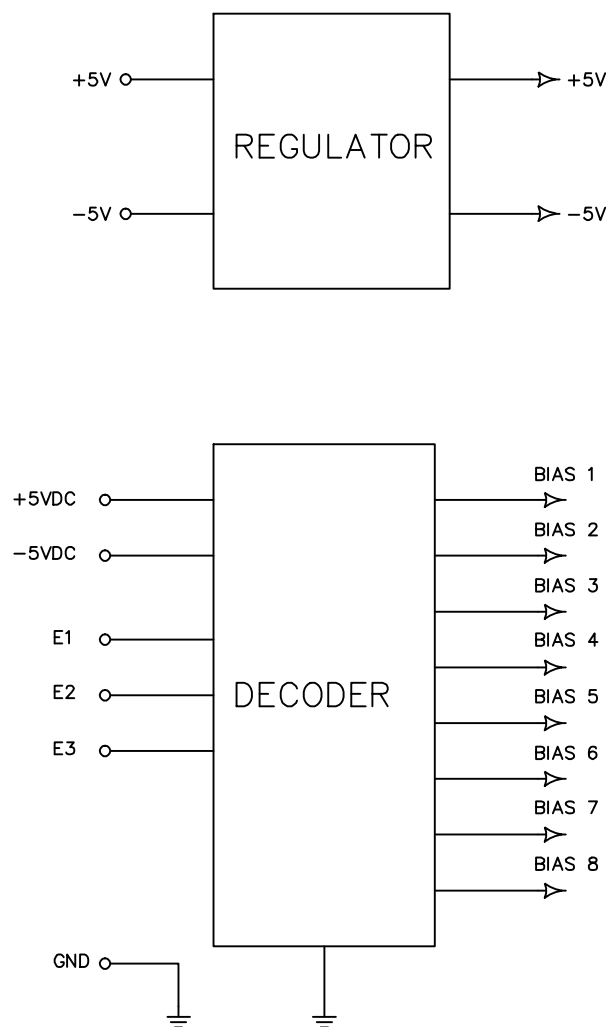
| | | | | | |
|------------------|--|-----------|--|--|--|
| APPROVALS | | DATE | | TITLE | |
| DRAWN <i>PRB</i> | | 12/04/06 | | PRODUCT FEATURE MSN-8DT-05-DEC-MP OPTION: 40M6, VSWR104, RF25NS, TON 40MHz - 6 GHz TERMINATED SP8T SWITCH | |
| CHECKED | | SIZE | | DWG NO. | |
| ISSUED | | A | | 100-7213-001 | |
| | | SCALE N:S | | SHEET 1 OF 4 | |

DESCRIPTION

THE AMC MODEL NUMBER MSN-8DT-05-DEC-MP OPTIONS: 40M6, VSWR104, RF25NS, TON, IS A TERMINATED SP8T SWITCH WITH A FREQUENCY RANGE OF 40 MHz TO 6 GHz. THIS MODEL IS ALSO EQUIPED WITH A DECODER AND MULTIPIN CONNECTOR.

| REVISIONS | | | | |
|-----------|------|------------------------------|----------|----------|
| ZONE | REV. | DESCRIPTION | DATE | APPROVED |
| | - | ORIGINAL RELEASE JOB# 611211 | 12/04/06 | |

FUNCTIONAL BLOCK DIAGRAM



CONFIDENTIAL AND PROPRIETARY

AMERICAN MICROWAVE CORPORATION

7311-G GROVE ROAD
 FREDERICK, MARYLAND 21704 USA
 TEL: 301-662-4700 FAX: 301-662-4938
 WEBSITE: www.americanmicrowavecorp.com
 E-MAIL: sales@americanmicrowavecorp.com
 ISO 9001:2000 CERTIFIED



| APPROVALS | | DATE | TITLE | | | REV. |
|------------------|--|----------|---|----------|--------------|--------|
| DRAWN <i>PRB</i> | | 12/04/06 | FUNCTIONAL BLOCK DIAGRAM MSN-8DT-05-DEC-MP OPTION: 40M6, VSWR104, RF25NS, TON 40MHz - 6 GHz TERMINATED SP8T SWITCH | | | - |
| CHECKED | | | SIZE | FSCM NO. | DWG NO. | |
| ISSUED | | | A | 60483 | 100-7213-001 | |
| | | | SCALE | N:S | SHEET | 3 OF 4 |